



## **EM EMSW EMO**

Swing Door Operator

[www.ementrematic.com](http://www.ementrematic.com)

# Silent and Suitable Everywhere

The EM EMSW EMO is one of the most silent operators in the market. It is an ideal solution for i.e. healthcare, residential, office & public service environments where both low-noise and ease of access are important. Its low-energy performance is compliant with DDA requirements. The operator functions reliably under varying conditions and climate changes.

## World-class Safety

The EM EMSW EMO is a perfect choice for hospitals and assisted living facilities for the elderly or disabled. Its power-assist feature allows the door to be opened with only a slight push. The highly intelligent operator senses the presence of an obstruction during opening and stops or reverses direction. These features provide a high degree of safety at a very reasonable cost.

If optionally equipped with external safety sensors, the EM EMSW EMO operator monitors the sensors every time it opens or closes the door. If the sensors are not functioning properly, the automation is deactivated and the door will function as a manual swing door with a door closer.

## Intelligent locking technology

Want to use an electronic lock? There are several intelligent functions that ensure that the EM EMSW EMO senses if the door is fully closed and properly locked. When it detects that the door has not completely closed, the EM EMSW EMO will prompt the door to open again and close fully. The operator also features intelligent double-door functionality for use with rebated (overlapping) swing doors and will always close the doors in the right order so that they are fully closed, latched and can be locked.

## Cost Efficiency

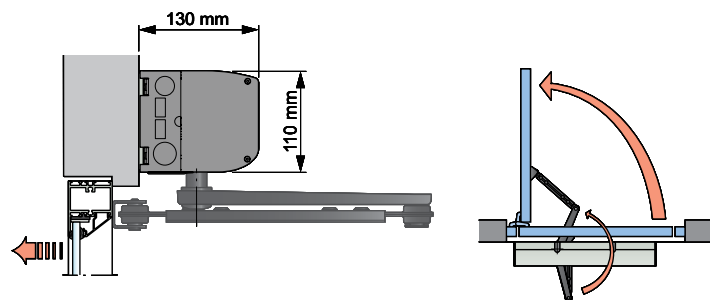
The EM EMSW EMO's motor is equipped with an electronic door brake that controls the door's speed when it is unexpectedly blown or forcefully pushed toward the open or closed position. This unique feature reduces the wear and tear, limiting breakdowns.

The modern motor control in the EM EMSW EMO minimizes the energy consumption so that the power required to open a 90 kg door is even lower than to light a 25W lamp!

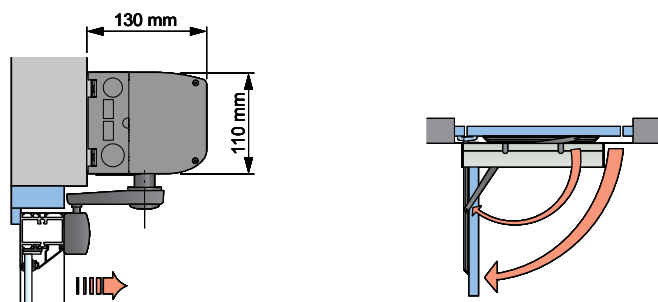
## Back-Up when Power Failure

In the event of a power failure, the operator can be activated by battery power via a key impulse that opens the door once, then closes and locks it before switching off. This unique technology ensures that the entrance is accessible independent of power.

Pushing arm system, PUSH



Pulling arm system, PULL



# Models

## Single operator

- one drive unit and one control unit fitted under a cover.

## Double operator

- two drive units with control units fitted under the same cover for operation of two doors.

## Arm systems

- Pushing arm system PUSH - the operator is installed on the wall on the opposite side of the door swing. Door opening angle adjustable up to 110°.
- Pulling arm system PULL - the operator is installed on the wall on the same side as the door swing. Door opening angle adjustable up to 110°.
- Pulling arm system ST-V/H - is used in windy conditions when the operator is installed on the wall on the same side as the door swing. Door opening angle adjustable up to 90°.
- Drive shaft extensions allow the operator to be fitted higher on the wall or the arm lower on the door leaf.

## Standard equipment

- Cover - manufactured in clear anodized aluminium. End plates made of black painted steel sheet.

## Dimensions

- Height 110 mm
- Depth 130 mm
- Special length covers up to 1600mm
- Double operator: Length optional
- Control unit CU-ESD - with possibility to connect manual and automatic activation units, position switches and overhead presence detectors (OPD).
- "Push and go" - the door opens automatically from closed position if manually pushed.
- Power assist - the motor gives power assist when the door is opened by hand.

## Accessories

- Extension unit EXU-SI - Used if additional functions are required, e.g. electromechanical lock, program selector, emergency battery, kill function open/close, key opening and outer impulse.
- Extension unit EXU-SA - Has inputs for both monitored /non monitored door mounted sensors, which can give presence impulse and/or presence detection. Relay output for error or door indication is also integrated.

- Sync cable - Used on double doors to select the opening and closing order.
- Finger trap protection devices
- Manual and automatic activation units
- Impulse and presence detection sensors
- Programme selectors
- Monitored battery backup unit: 24 VDC 1200 mA
- Electromechanical locking connection: 12 VDC max 500 mA or 24 VDC max 250 mA

## Authority Approval

The EM EMSW EMO meets the following requirements;

SITAC SC0840-09  
TÜV B 09 09 70555 002



## Technical specifications

Power supply:	100-240 V AC, +10/-15%, 50/60 Hz
Power consumption:	max. 75 W
Auxiliary voltage:	24 V DC, max. 400 mA
Internal control fuse:	2 x T 6.3 AH 250 V
Door leaf width:	max. 1200 mm
Recommended door weight:	max. 90 kg
Door opening angle:	80 - 110°
Reveal:	Push 0 - 100 mm (300 mm with longer telescopic part) / Pull 0 - 130 mm
Opening and closing time:	variable between 3 - 6 sec.
Hold open time:	1.5 - 30 sec
Ambient temperature:	-20°C to +45°C
Relative humidity (non-condensing)	max 85%
Class of protection:	IP20 - to be installed internally or externally with suitable weather protection

**Entromatic**

Box 669, SE 261 25 Landskrona  
Phone: +46 10 47 48 300  
Fax: +46 418 201 15  
info.em@entromatic.com  
www.ementromatic.com  
www.entromatic.com

