

## **EM EMSW**

Swing Door Operators

[www.ementrematic.com](http://www.ementrematic.com)

# The most versatile and reliable swing door operator

The EM Entrematic EMSW is an electro-hydraulic operator designed for a wide variety of applications and is suitable for almost all types of external and internal swing doors. The operator can be mounted on either side of the door for pull or push action, and is available for single or double doors fitted with butt hinges or pivots.

For any retrofit, the EM EMSW can be taken from the box and be operational in minutes. With little training, your technical staff can administrate it and your choice of door supplier can install it. Reliability is a hallmark for the EM EMSW and the engineering know-how behind the operator allows it be fitted nearly everywhere and to perform well under a wide variety of conditions.

The EM EMSW is just as suitable for disabled access, nursing homes and hospital corridors – where the requirements are for flexible operation and reliability – as it is for department stores, banks, hotels etc. with high density traffic and difficult operating conditions.

## World-class safety with fire door approval

The EM EMSW offers a high degree of safety. The operator can be combined with the full range of EM Entrematic safety sensors that will prevent the door from opening or closing on users or other obstructions. It has received certification for fire door approval from Swedish and German authorities. In the event of a power failure, the EM EMSW works as a door closer.

## Easy installation for demanding environments

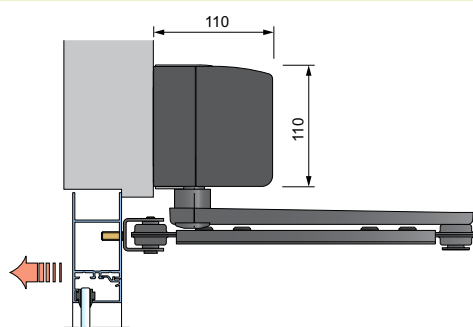
Installing the unit is easy and EM Entrematic offers regular training to all resellers to ensure high quality installations. High-use and demanding environments, like a school or an emergency entrance at a hospital, can both benefit from the EM EMSW. Its sturdy design holds up to rough treatment.

## Strength

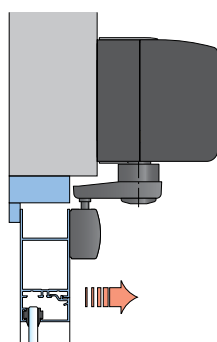
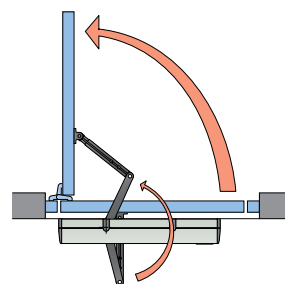
The EM EMSW is one of the most powerful swing door operators in the market, handling door leaves up to 250 Kg with 1600 mm width.

## Fire doors

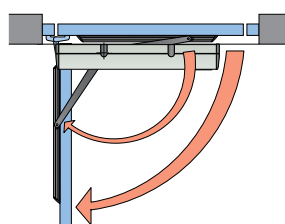
The EM EMSW offers fire rating and is approved for fire door installations by the German and Swedish authorities.



Pushing arm system, PUSH



Pulling arm system, PULL



# Models

- EM EMSW – for single doors – one drive unit and one control unit fitted under a standard length cover.
- EM EMSW-Special – for single doors one drive unit and one control unit fitted under a cover with optional length.
- EM EMSW-2 – for double doors – two drive units with control unit and slave control unit fitted under a cover with optional length for parallel operation of two doors.

## Arm systems

- PUSH – Pushing arm system, used for fire approved doors where the operator is installed on the wall on the opposite side of the door swing. Door opening angle adjustable up to 120°.
- PULL – Pulling arm system where the operator is installed on the wall on the same side as the door swing. Door opening angle adjustable up to 120°.
- Shaft extensions – Allow the operator to be fitted higher on the wall or the arm lower on the door leaf.

## Design

The compact EM Entrematic EMSW is supplied for different doors and customer requirements. The operator works electro-hydraulically. It opens with motor and closes with spring. The opening and closing speeds can be varied individually. The motor, oil pump and hydraulic unit are combined into a compact unit mounted next to the control unit within the cover.

The operator is connected to the door leaf with either a pushing or a pulling arm system.

## Standard equipment

- Cover in clear anodized aluminum.
- Control unit – with possibility to connect manual and automatic activation units, programme selector PS-3 and electric striking plates.
- Telescopic extension arm
- Shaft extension
- Black SAS-F PUSH/PULL arm system

## Accessories

- Coordination unit COOA which ensures that rebated doors close in correct order.
- EM Entrematic's range of manual and automatic activation units
- Impulse and presence detection sensors.
- Arm stop

## Authority Approval

The EM EMSW meets the following requirements;

DIBT Z-6.5-1706

GOST R POCC SE ME 01.B 06026

SITAC 0135/05

SITAC 0136/05

TÜV B 07 07 58029 004

## Technical specifications

Power supply:	230 V AC, 50 Hz
Power consumption:	max 230 W
Auxiliary voltage:	24 V DC
Ambient temperature:	-15° to +30° C
Recommended door weight:	250 kg for door leaf width 1600 mm
Ambient temperature:	-15° to +30°C



**Entromatic**

Box 669, SE 261 25 Landskrona

Phone: +46 10 47 48 300

Fax: +46 418 201 15

[info.em@entromatic.com](mailto:info.em@entromatic.com)

[www.ementromatic.com](http://www.ementromatic.com)

[www.entromatic.com](http://www.entromatic.com)

